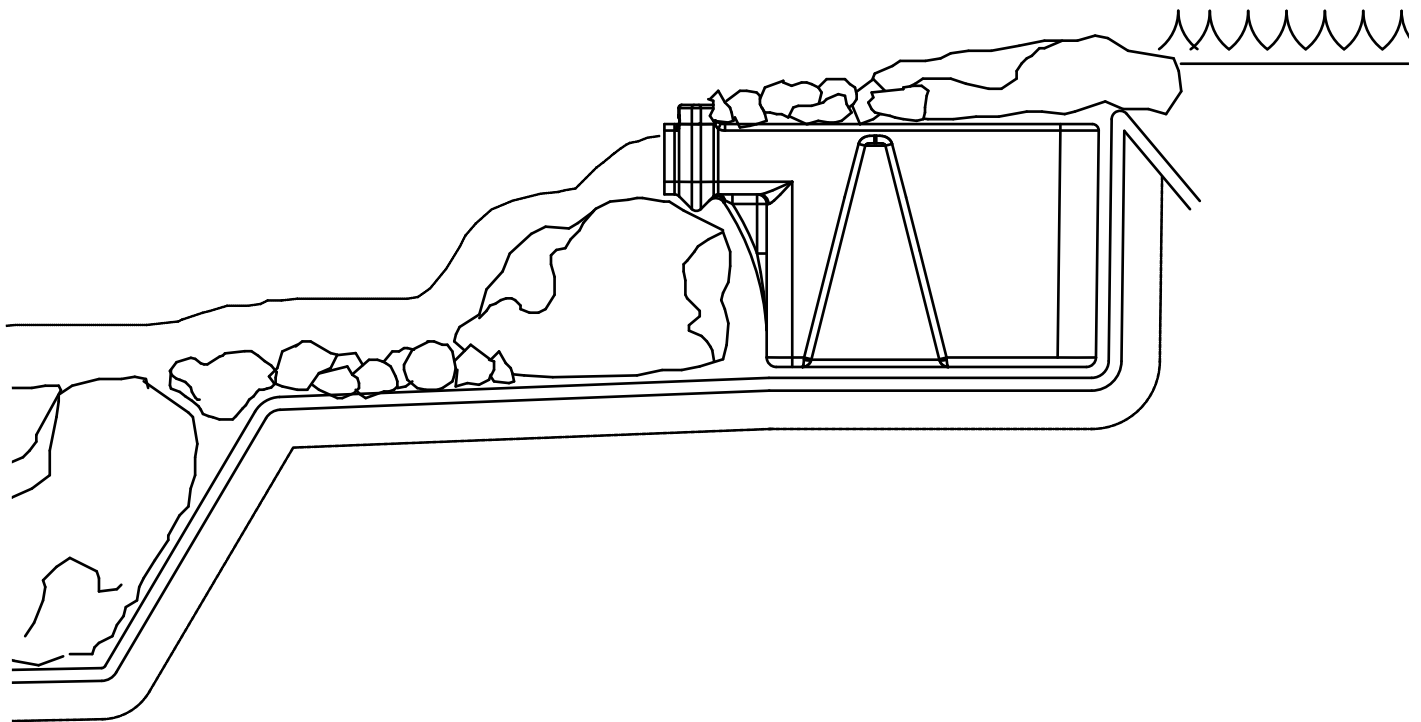
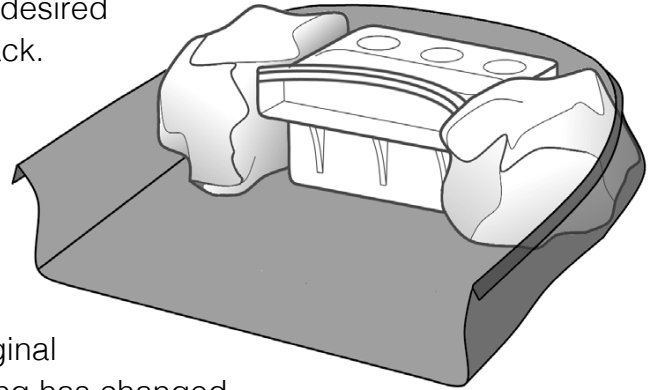


Setting the FastFalls

Place the FastFalls on a level bed of undisturbed soil if possible, to avoid settling. If installing above existing grade, compact the area thoroughly. This critical step will ensure that the FastFalls will not settle out of level over time. Blocks or bricks set on virgin soil can also be used to raise the FastFalls while reducing the chance of settling. Place the FastFalls right at the basin's edge to create a single dramatic fall, or pull the FastFalls back from the edge to create a stream. Leave plenty of liner around the FastFalls to make it easy to camouflage with rock later. To ensure a leak-proof installation, test place the FastFalls in the desired location and level it from side-to-side and front-to-back.

The closed design of the FastFalls ensures that water will only exit the unit over the spillway, so there is no need to tilt the FastFalls forward.

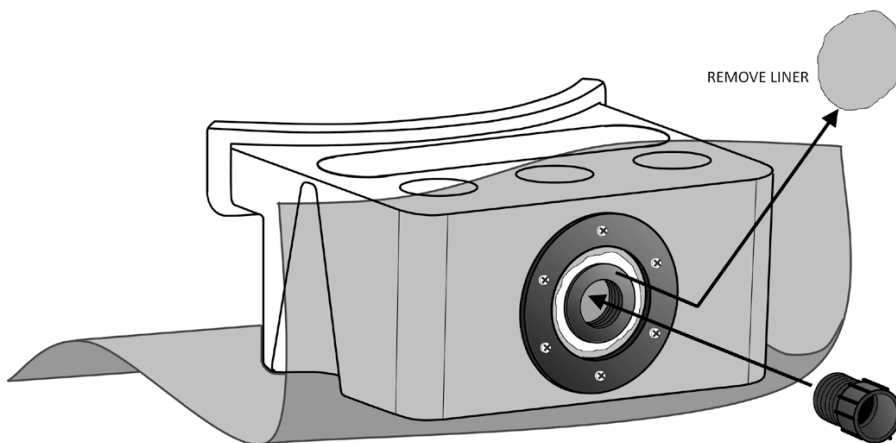
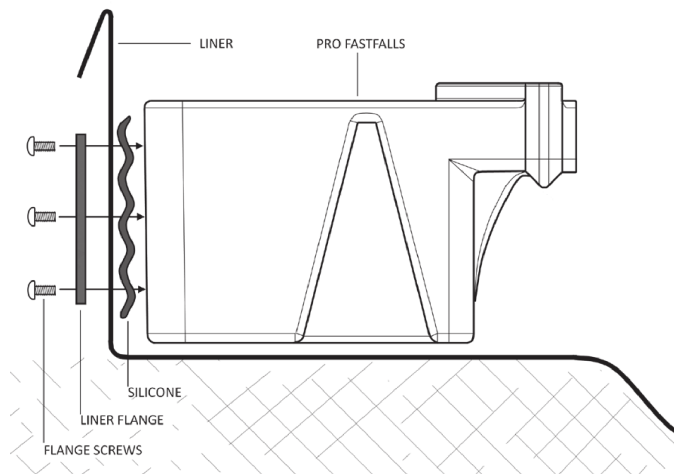
When you are satisfied with the placement of the FastFalls, remove the unit and install the liner and underlayment, being careful not to disturb the level base. Place the FastFalls on top of the liner in its original position. Check the unit for level to ensure that nothing has changed.



FastFalls Liner and Plumbing Attachment

Hold the liner up against the flat panel on the back of the FastFalls enclosure. Leave some excess slack in the liner below the inlet. This will help alleviate any future strain on the liner connection. Make sure the back surface of the FastFalls, and the back side of the liner is clean and free of debris. Once you are satisfied with the position of the liner, lower it down and prepare to apply the silicone sealant.

Apply Silicone Sealant in a continuous, consistent bead along the center of the threaded inserts. Once completed, return the liner to its dry-fit position. Attach the supplied flange to the FastFalls, starting with the top screw first, working around the flange. If needed, use an awl or nail to pierce the liner before inserting the screws. Do not fully tighten any screws until all of the screws have been installed. Once completed, trim away the liner on the inside of the flange to expose the threaded inlet.



Tighten flange screws with a hand held screwdriver only. Over tightening the screws could strip out the inserts or crack the liner flange. The screws need only to be snug for the silicone to make a seal.

Apply silicone on the threads of the Male Thread Adaptor (MTA). Screw the MTA into the inlet until tight. Use PVC Glue (not included) to glue the PVC flex hose into the MTA. Once the FastFalls is sealed to the liner, level and positioned correctly, place a couple of large stones on top of the FastFalls to ensure it does not move when backfilling.

Hiding the Fastfalls

Position rocks on either side of the FastFalls, inside the liner. Start working the rock in and around the front of the FastFalls, building up to the lip of the FastFalls, which will provide support for a lip rock. The Fastfalls will support the weight of gravel and rocks, stacked directly on top of the unit. Consider covering the whole unit with a single sizeable overhanging capstone, or stack individual smaller stones and gravel on top to completely conceal the FastFalls. For a 'grown-in' look, cover the FastFalls with soil and plant small evergreens and perennials right on top. The raised lip will keep the gravel or soil from washing into the water.

